

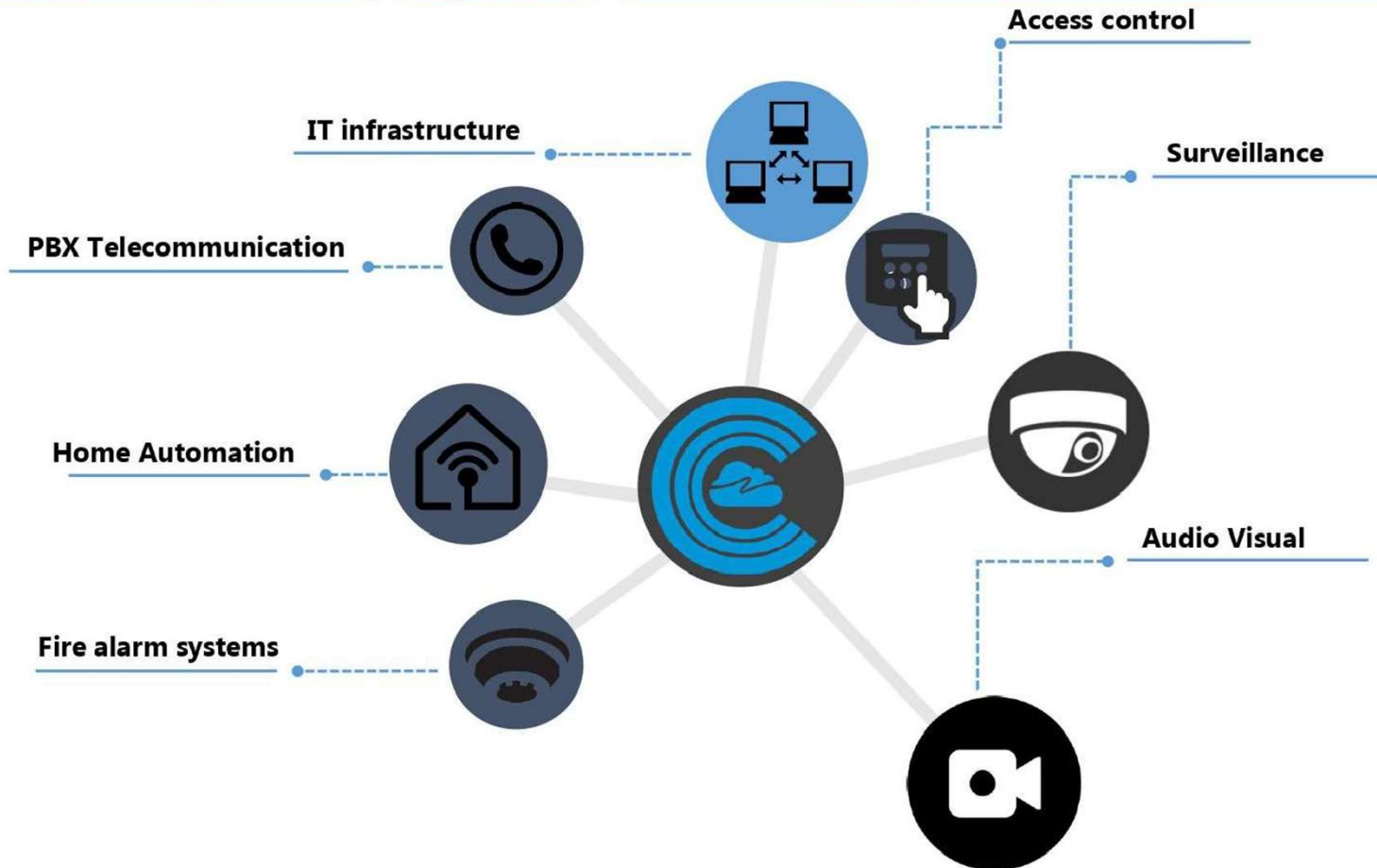
RDS TECHNEXUS PVT. LTD.



OUR EXPERTISE

RDS TECHNEXUS PVT. LTD.

Powering Progress With Our Technologies



We are working with the world's latest technologies to secure this world from the threats.

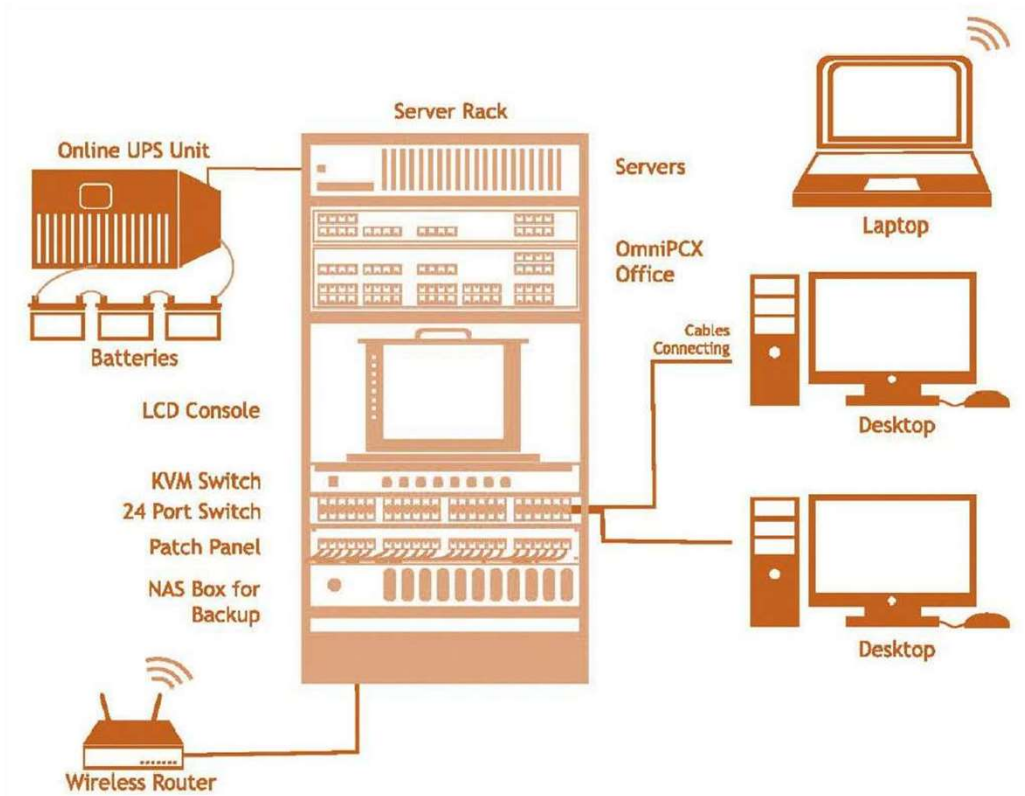
RDS TECHNEXUS PVT. LTD.



IT Infrastructure

RDS TECHNEXUS PVT. LTD.

IT Infrastructure



A single point solution with design and support for a wide range of networking devices including Routers, Switches, etc. from some of the leading equipment manufacturers.

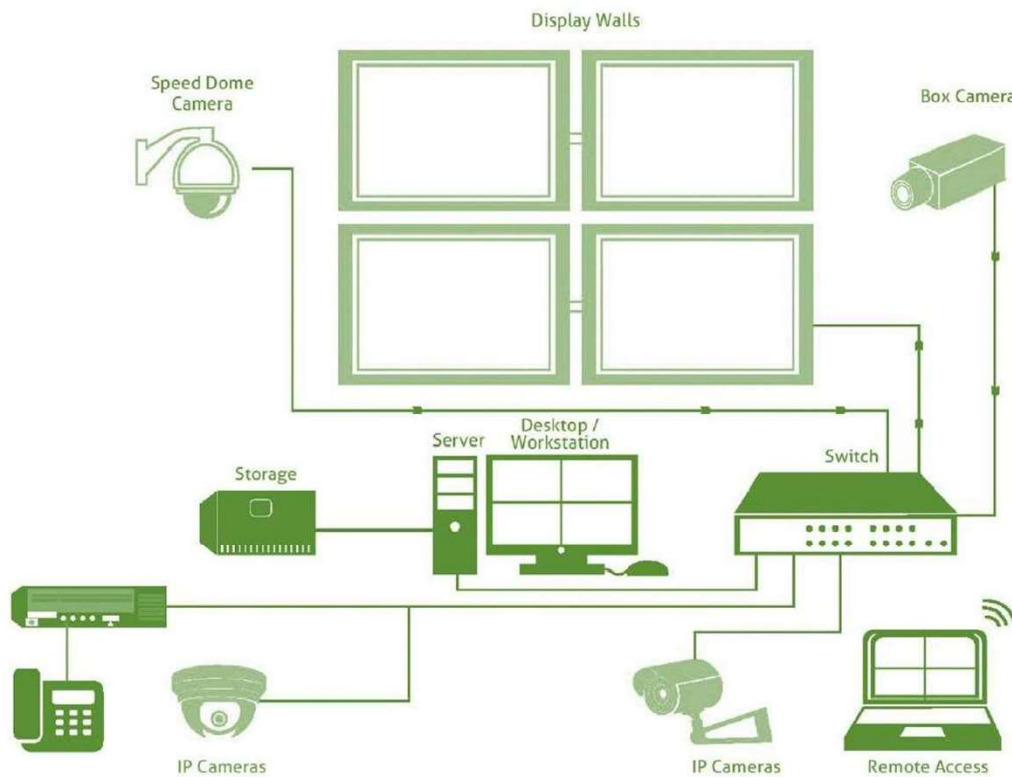
RDS TECHNEXUS PVT. LTD.

Surveillance

A man in a white uniform and headset is shown in profile, looking at a wall of multiple video monitors. The monitors display various surveillance footage, including outdoor scenes and industrial sites. The overall scene is dimly lit, with the primary light source being the screens themselves.

RDS TECHNEXUS PVT. LTD.

Surveillance



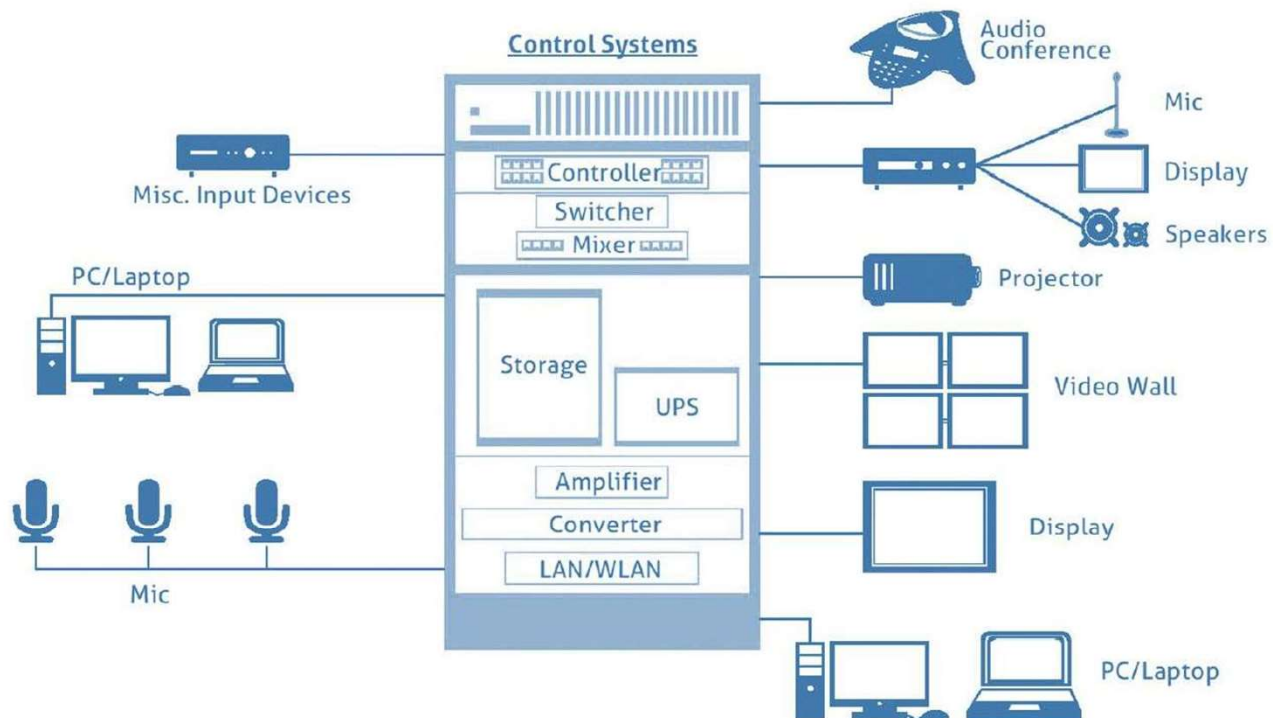
Total digital video and audio recording system that provides continuous CCTV recording, archiving and debriefing capabilities that meets the needs of today's demanding security environment. The complete solution for high-level security. Alternatively, the stand-alone CCTV systems, which provides visual display of specific areas of plants or buildings.

RDS TECHNEXUS PVT. LTD.

Audio Visual Integration Solution

RDS TECHNEXUS PVT. LTD.

AUDIO VISUAL Integration Solution



End-to-end audio-video (AV) solutions for hospitality, corporate, government verticals for boardrooms, conference rooms, training rooms, auditoriums, seminar halls and cafeterias. AV system design and project management Automation and control Digital signage. LCD/LED panel and projection technology Video and audio conferencing solutions.

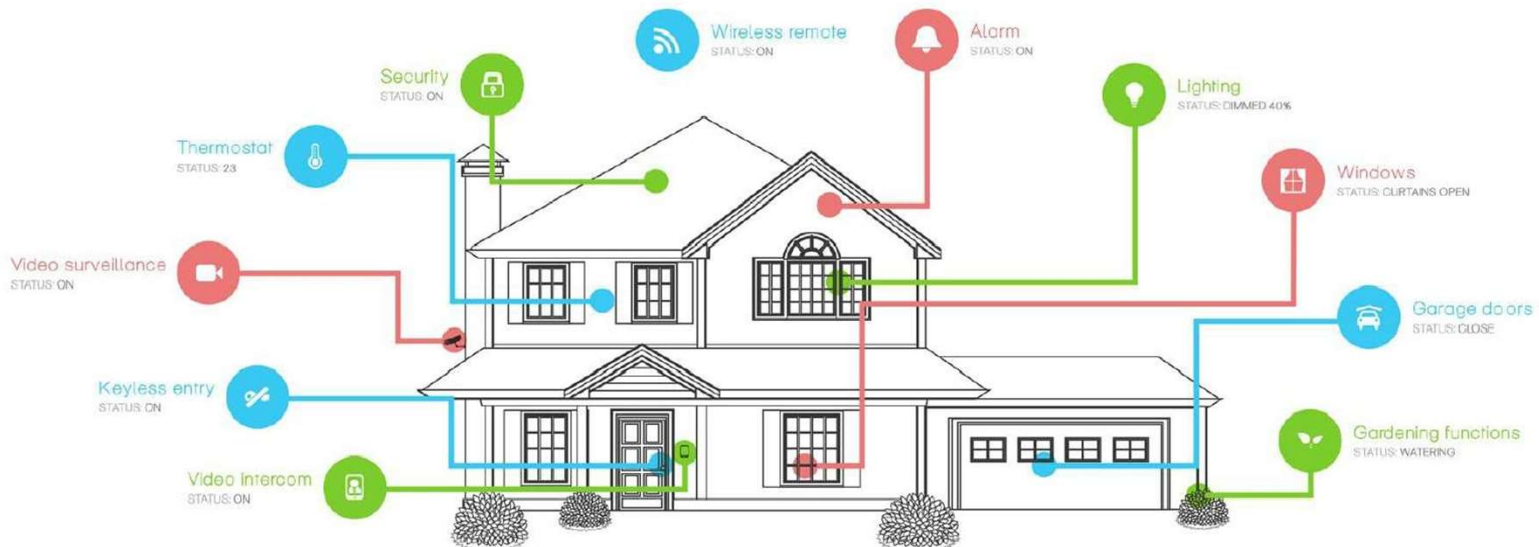
RDS TECHNEXUS PVT. LTD.

A woman with long dark hair, wearing a red shirt, is smiling and pointing at a large, white, wall-mounted smart home control panel. The panel has a touchscreen interface with various icons for home automation, including a lightbulb, a lock, and a gear. The background is a dimly lit room with a bookshelf.

Home Automation

RDS TECHNEXUS PVT. LTD.

HOME Automation



Ensure entry doors are closed & locked remotely. Control audio & video equipment around your home

Completely power down audio & video equipment and other appliances at night or when not in use. Detect vehicles entering or leaving your driveway using CCTV synchronization. Automatically shut off water when leaks are detected. Synchronization with fire alarm systems

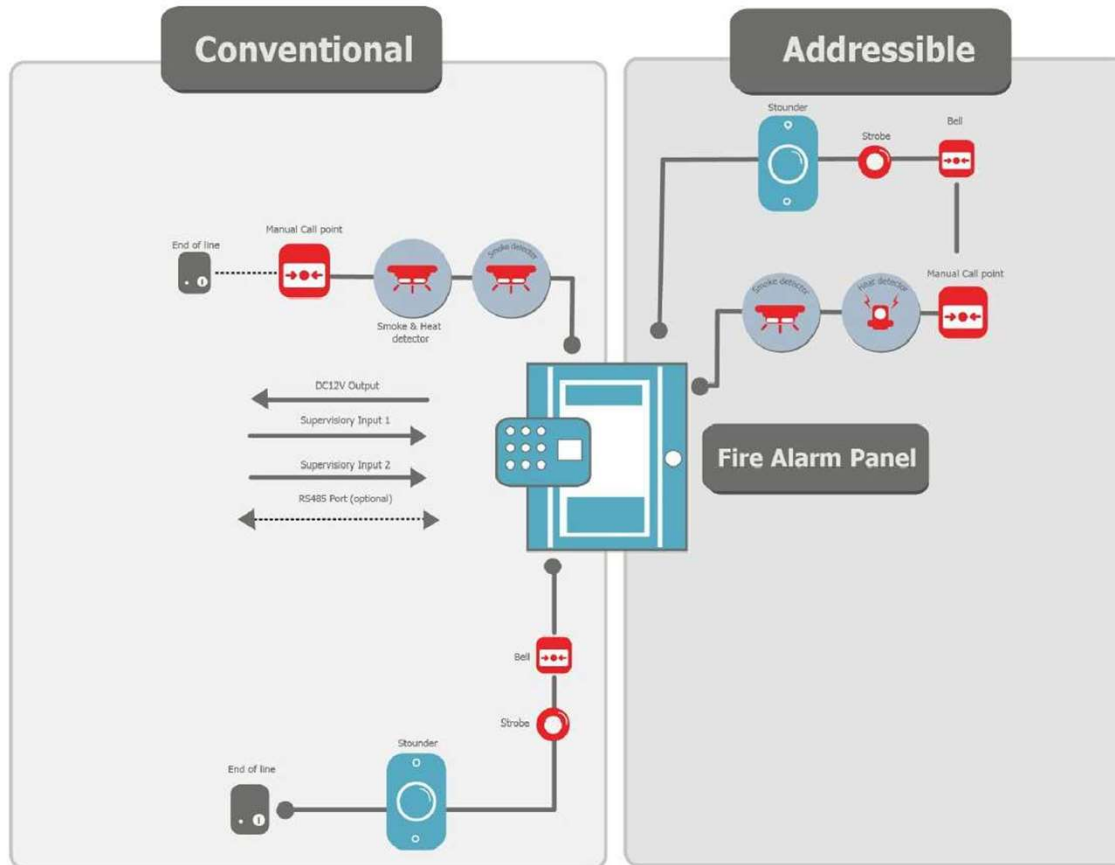
RDS TECHNEXUS PVT. LTD.



FIRE Alarm systems

RDS TECHNEXUS PVT. LTD.

FIRE Alarm systems



Analogue Addressable:
Single or multiple zones with high-level control of all devices on the system. Interfacing capabilities with other building systems. PC interface with monitoring of alarm and fault conditions.

Conventional System:
It consists of photoelectric, ionization smoke detectors and heat detectors, which are fully compatible with existing conventional panels.

RDS TECHNEXUS PVT. LTD.

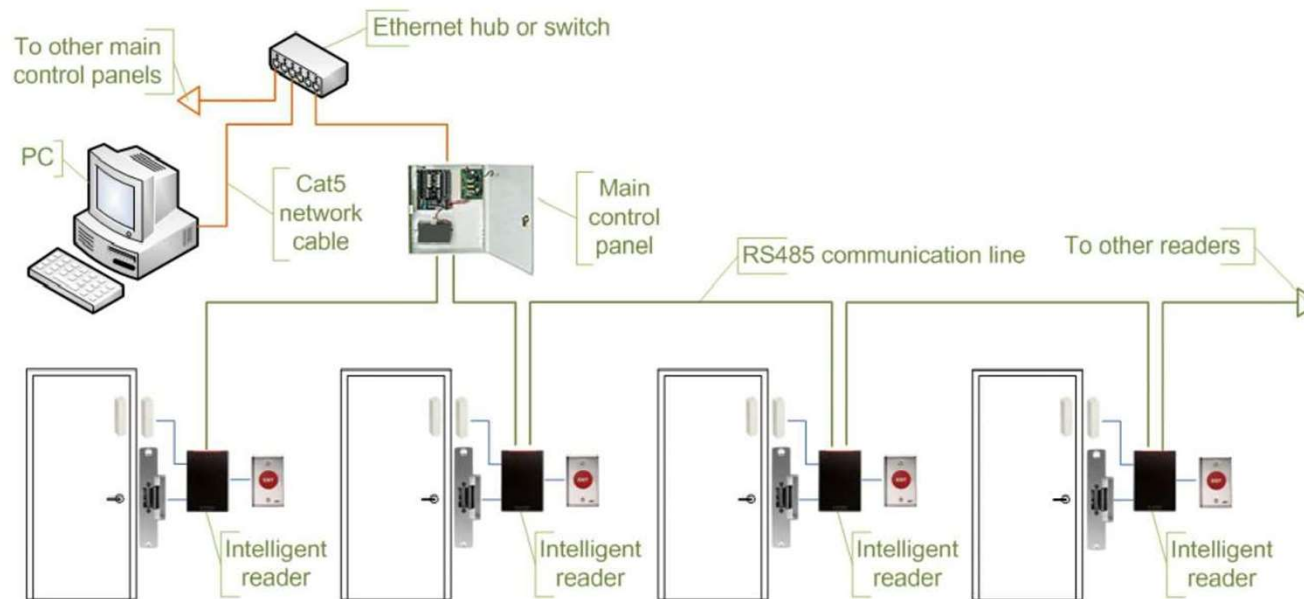


Q

ACCESS Control

RDS TECHNEXUS PVT. LTD.

ACCESS Control



Fully networked and standalone online access control systems. Designed to incorporate all the necessary peripheral devices to control, monitor and have visual display of the plant or building. Complete recording of event information. This system provides the total integrated access control and alarm monitoring system for leading organizations.

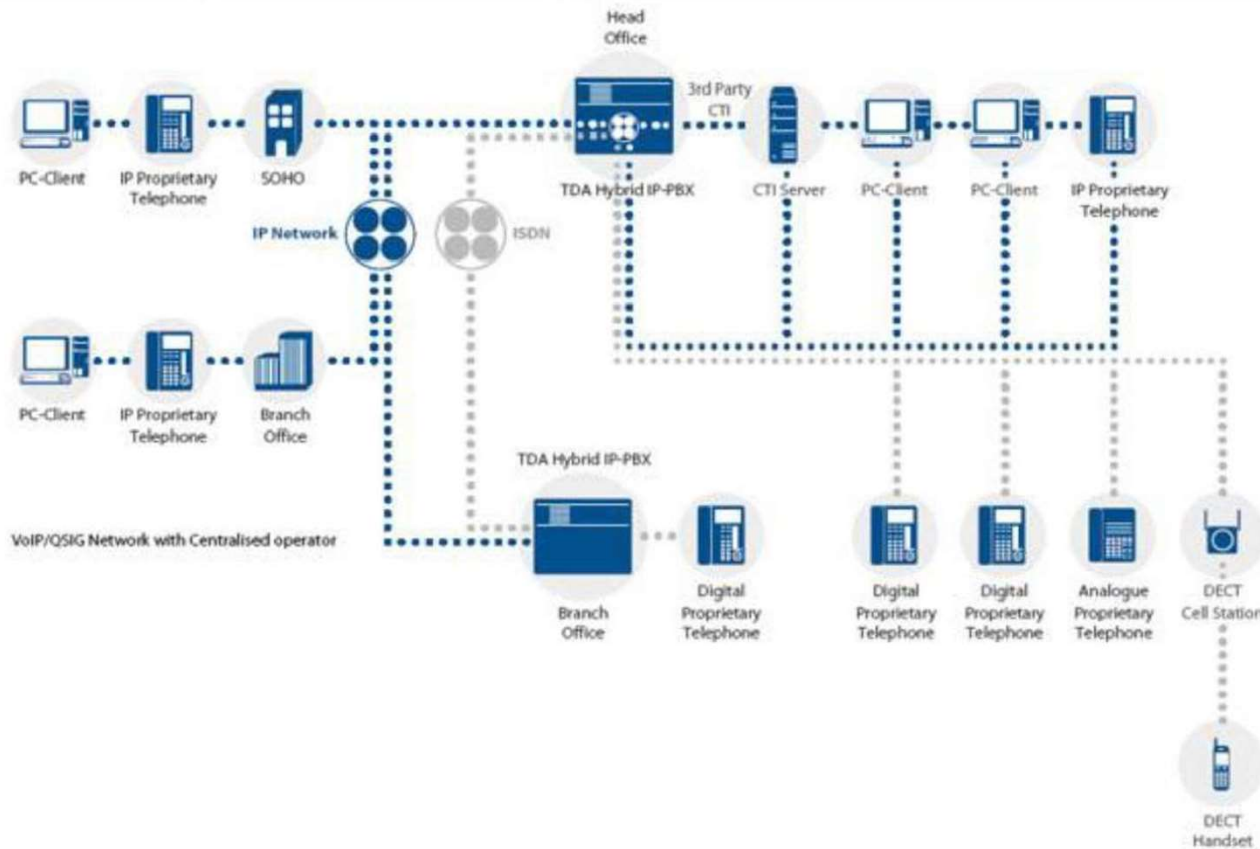
RDS TECHNEXUS PVT. LTD.



PBX Telephone system

RDS TECHNEXUS PVT. LTD.

PBX Telephone system



IP PBX is designed specifically for businesses of between 4 to 1000 users and delivers the same communication capabilities of large enterprises. This solution unifies communications, providing employees with a solution that allows them to handle all their business communication on the device of their choice: laptop, mobile device, office or home phone – using wired, wireless or broadband connections.

RDS TECHNEXUS PVT. LTD.

ONGOING PROJECT

Some of our valuable Clients

❖ GAIL Bikaj	❖ 3.56 Cr
❖ Zakir Husain College	❖ 3 Cr
❖ Govt. College of Arts, Science & Commerce Quepan	❖ 2.10 Cr
❖ Amrapali Corporate Hub	❖ 1.5 Cr
❖ IOL	❖ 1.25 Cr
❖ NCHMCT	❖ 1.10 Cr
❖ NIXI	❖ 1.05 Cr
❖ IIT Kanpur	❖ 80 Lakh

RDS TECHNEXUS PVT. LTD.



**Client Satisfaction is the key of successful
company!!**

RDS TECHNEXUS PVT. LTD

NEW DELHI 110070



RDS TECHNEXUS PVT. LTD.